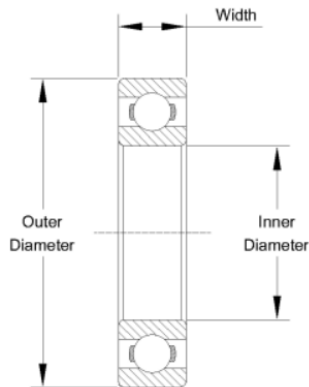




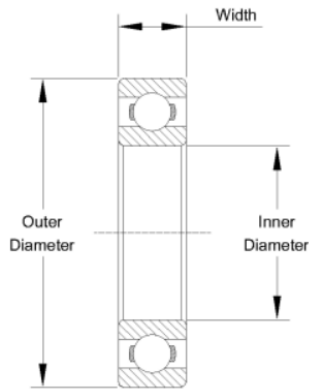
R Series Miniature Bearings



Part Number	Bore diameter	Outside diameter	Width	For load direction	Seal type	Ring material	Ball material	Limiting speed
R09	0.04"	0.125"	0.0469"	Radial	Open	Chrome Steel	Chrome Steel	130 X 1000 rpm
R0	0.046875"	0.15625"	0.0625"	Radial	Open	Chrome Steel	Chrome Steel	110 X 1000 rpm
R0zz	0.046875"	0.15625"	0.0937"	Radial	Shielded	Chrome Steel	Chrome Steel	110 X 1000 rpm
R1	0.05556"	0.1875"	0.0781"	Radial	Open	Chrome Steel	Chrome Steel	90 X 1000 rpm
R1zz	0.05556"	0.1875"	0.1094"	Radial	Shielded	Chrome Steel	Chrome Steel	90 X 1000 rpm
R1-4	0.07813"	0.25"	0.0937"	Radial	Open	Chrome Steel	Chrome Steel	67 X 1000 rpm
R1-4 2rs	0.07813"	0.25"	0.1406"	Radial	Sealed	Chrome Steel	Chrome Steel	67 X 1000 rpm
R1-4zz	0.07813"	0.25"	0.1406"	Radial	Shielded	Chrome Steel	Chrome Steel	67 X 1000 rpm
R133	0.09375"	0.1875"	0.0625"	Radial	Open	Chrome Steel	Chrome Steel	80 X 1000 rpm
R133 2rs	0.09375"	0.1875"	0.0937"	Radial	Sealed	Chrome Steel	Chrome Steel	80 X 1000 rpm
R133zz	0.09375"	0.1875"	0.0937"	Radial	Shielded	Chrome Steel	Chrome Steel	80 X 1000 rpm
R1-5	0.09375"	0.3125"	0.1094"	Radial	Open	Chrome Steel	Chrome Steel	60 X 1000 rpm
R1-5 2rs	0.09375"	0.3125"	0.1406"	Radial	Sealed	Chrome Steel	Chrome Steel	60 X 1000 rpm
R1-5zz	0.09375"	0.3125"	0.1406"	Radial	Shielded	Chrome Steel	Chrome Steel	60 X 1000 rpm
R144	0.125"	0.25"	0.0937"	Radial	Open	Chrome Steel	Chrome Steel	67 X 1000 rpm
R144 2rs	0.125"	0.25"	0.1094"	Radial	Sealed	Chrome Steel	Chrome Steel	67 X 1000 rpm
R144zz	0.125"	0.25"	0.1094"	Radial	Shielded	Chrome Steel	Chrome Steel	67 X 1000 rpm
R2-5	0.125"	0.3125"	0.1094"	Radial	Open	Chrome Steel	Chrome Steel	60 X 1000 rpm
R2-5 2rs	0.125"	0.3125"	0.1406"	Radial	Sealed	Chrome Steel	Chrome Steel	60 X 1000 rpm
R2-5zz	0.125"	0.3125"	0.1406"	Radial	Shielded	Chrome Steel	Chrome Steel	60 X 1000 rpm
R2-6	0.125"	0.375"	0.1094"	Radial	Open	Chrome Steel	Chrome Steel	53 X 1000 rpm
R2-6 2rs	0.125"	0.375"	0.1406"	Radial	Sealed	Chrome Steel	Chrome Steel	53 X 1000 rpm
R2-6zz	0.125"	0.375"	0.1406"	Radial	Shielded	Chrome Steel	Chrome Steel	53 X 1000 rpm
R2	0.125"	0.375"	0.1562"	Radial	Open	Chrome Steel	Chrome Steel	56 X 1000 rpm
R2 2rs	0.125"	0.375"	0.1562"	Radial	Sealed	Chrome Steel	Chrome Steel	56 X 1000 rpm
R2zz	0.125"	0.375"	0.1562"	Radial	Shielded	Chrome Steel	Chrome Steel	56 X 1000 rpm
R2A	0.125"	0.5"	0.1719"	Radial	Open	Chrome Steel	Chrome Steel	53 X 1000 rpm
R2A 2rs	0.125"	0.5"	0.1719"	Radial	Sealed	Chrome Steel	Chrome Steel	53 X 1000 rpm
R2Azz	0.125"	0.5"	0.1719"	Radial	Shielded	Chrome Steel	Chrome Steel	53 X 1000 rpm



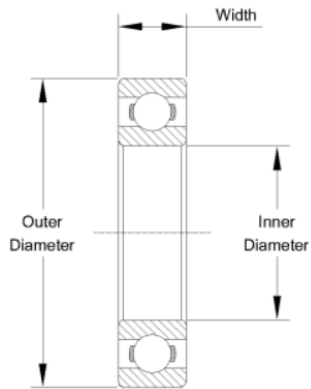
R Series Miniature Bearings



Part Number	Bore diameter	Outside diameter	Width	For load direction	Seal type	Ring material	Ball material	Limiting speed
R155	0.15625"	0.3125"	0.1094"	Radial	Open	Chrome Steel	Chrome Steel	53 X 1000 rpm
R155 2rs	0.15625"	0.3125"	0.125"	Radial	Sealed	Chrome Steel	Chrome Steel	53 X 1000 rpm
R155zz	0.15625"	0.3125"	0.125"	Radial	Shielded	Chrome Steel	Chrome Steel	53 X 1000 rpm
R156	0.1875"	0.3125"	0.1094"	Radial	Open	Chrome Steel	Chrome Steel	53 X 1000 rpm
R156 2rs	0.1875"	0.3125"	0.125"	Radial	Sealed	Chrome Steel	Chrome Steel	53 X 1000 rpm
R156zz	0.1875"	0.3125"	0.125"	Radial	Shielded	Chrome Steel	Chrome Steel	53 X 1000 rpm
R166	0.1875"	0.375"	0.125"	Radial	Open	Chrome Steel	Chrome Steel	50 X 1000 rpm
R166 2rs	0.1875"	0.375"	0.125"	Radial	Sealed	Chrome Steel	Chrome Steel	50 X 1000 rpm
R166zz	0.1875"	0.375"	0.125"	Radial	Shielded	Chrome Steel	Chrome Steel	50 X 1000 rpm
R3	0.1875"	0.5"	0.1562"	Radial	Open	Chrome Steel	Chrome Steel	43 X 1000 rpm
R3 2rs	0.1875"	0.5"	0.196"	Radial	Sealed	Chrome Steel	Chrome Steel	43 X 1000 rpm
R3zz	0.1875"	0.5"	0.196"	Radial	Shielded	Chrome Steel	Chrome Steel	43 X 1000 rpm
R3A	0.1875"	0.625"	0.196"	Radial	Open	Chrome Steel	Chrome Steel	38 X 1000 rpm
R3A 2rs	0.1875"	0.625"	0.196"	Radial	Open	Chrome Steel	Chrome Steel	38 X 1000 rpm
R3Azz	0.1875"	0.625"	0.196"	Radial	Shielded	Chrome Steel	Chrome Steel	38 X 1000 rpm
R168	0.25"	0.375"	0.125"	Radial	Open	Chrome Steel	Chrome Steel	48 X 1000 rpm
R168 2rs	0.25"	0.375"	0.125"	Radial	Sealed	Chrome Steel	Chrome Steel	48 X 1000 rpm
R168zz	0.25"	0.375"	0.125"	Radial	Shielded	Chrome Steel	Chrome Steel	48 X 1000 rpm
R188	0.25"	0.5"	0.125"	Radial	Open	Chrome Steel	Chrome Steel	40 X 1000 rpm
R188 2rs	0.25"	0.5"	0.1875"	Radial	Sealed	Chrome Steel	Chrome Steel	40 X 1000 rpm
R188zz	0.25"	0.5"	0.1875"	Radial	Shielded	Chrome Steel	Chrome Steel	40 X 1000 rpm
R4	0.25"	0.625"	0.196"	Radial	Open	Chrome Steel	Chrome Steel	38 X 1000 rpm
R4 2rs	0.25"	0.625"	0.196"	Radial	Sealed	Chrome Steel	Chrome Steel	38 X 1000 rpm
R4zz	0.25"	0.625"	0.196"	Radial	Shielded	Chrome Steel	Chrome Steel	38 X 1000 rpm
R4A	0.25"	0.75"	0.2188"	Radial	Open	Chrome Steel	Chrome Steel	36 X 1000 rpm
R4A 2rs	0.25"	0.75"	0.2812"	Radial	Sealed	Chrome Steel	Chrome Steel	36 X 1000 rpm
R4Azz	0.25"	0.75"	0.2812"	Radial	Shielded	Chrome Steel	Chrome Steel	36 X 1000 rpm
R1810	0.3125"	0.5"	0.1562"	Radial	Open	Chrome Steel	Chrome Steel	40 X 1000 rpm
R1810 2rs	0.3125"	0.5"	0.1562"	Radial	Sealed	Chrome Steel	Chrome Steel	40 X 1000 rpm



R Series Miniature Bearings



Part Number	Bore diameter	Outside diameter	Width	For load direction	Seal type	Ring material	Ball material	Limiting speed
R1810zz	0.3125"	0.5"	0.1562"	Radial	Shielded	Chrome Steel	Chrome Steel	40 X 1000 rpm
R6	0.375"	0.875"	0.2188"	Radial	Open	Chrome Steel	Chrome Steel	32 X 1000 rpm
R6 2rs	0.375"	0.875"	0.2812"	Radial	Sealed	Chrome Steel	Chrome Steel	32 X 1000 rpm
R6zz	0.375"	0.875"	0.2812"	Radial	Shielded	Chrome Steel	Chrome Steel	32 X 1000 rpm